

**SM2—unit 10 test review answers**

1.  $\angle J \cong \angle W$

$\angle K \cong \angle X$

$\angle L \cong \angle Y$

$\angle M \cong \angle Z$

2.  $\frac{JK}{WX} = \frac{KL}{XY} = \frac{LM}{YZ} = \frac{MJ}{ZW}$

3.  $\frac{4}{3}$  or  $\frac{3}{4}$

4.  $BADC \sim GFEH$

5.  $x = 9$

6.  $x = 10$

7.  $76^\circ$

8.  $128^\circ$

9.  $\frac{4}{3}$  or  $\frac{3}{4}$

10.  $n = 4.5$  or  $\frac{9}{2}$  or  $4\frac{1}{2}$

11.  $t = 12$

12. AA,  $\triangle MNP \sim \triangle QRS$

13. not similar

14. SSS,  $\triangle ABC \sim \triangle DEF$

15. SAS,  $\triangle PRQ \sim \triangle TRS$

16. SAS,  $\triangle ABE \sim \triangle ACD$

17.  $x = 24$

18.  $y = 15$

19.  $y = 5$

20.  $x = 26$

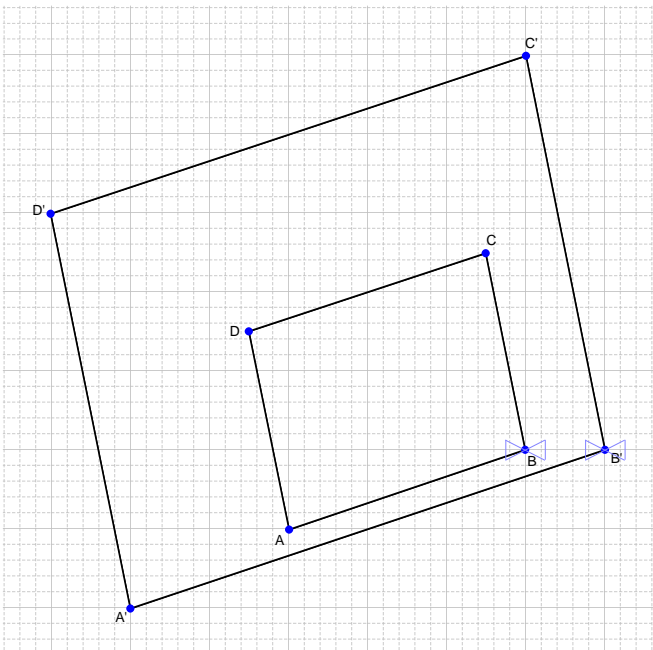
21.  $y = 11$

22.  $x = 3$

23. not parallel

24.  $\overline{BE} \parallel \overline{CD}$

25.  $A'(-8, -4)$   $B'(4, 0)$   $C'(2, 10)$   $D'(-10, 6)$



26.  $A'(-4, 2)$   $B'(-2.5, 5)$   $C'(-1, -3)$

